



SkyFuelH2 – SAF production in Northern Sweden

Dr. Teodora Tinkova, Jordan Staiger
ANIMP Webinar | July 19, 2023

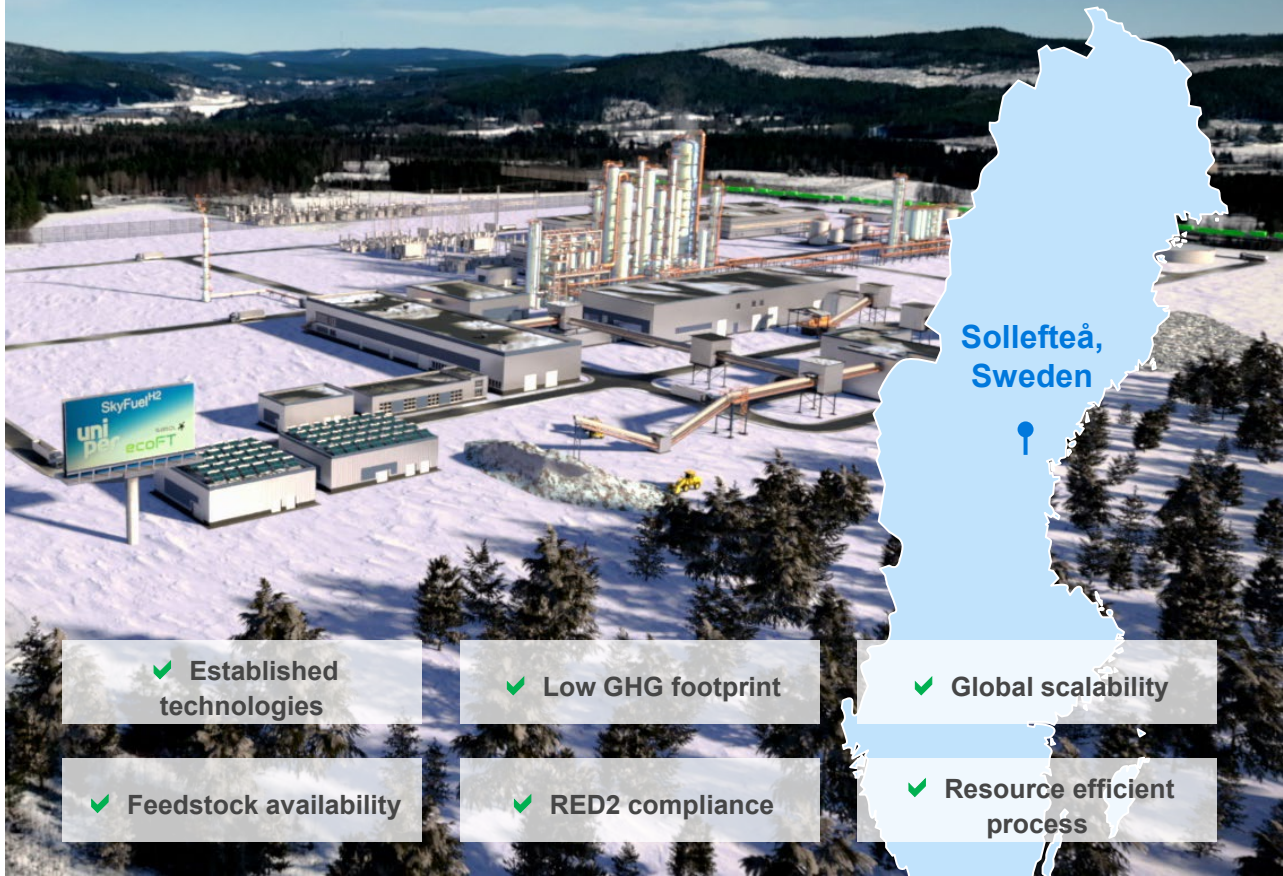
SkyFuelH2:

A fully integrated industrial sized SAF production facility, jointly developed by Uniper and Sasol ecoFT

World-leading energy, fuels and technology companies Uniper and Sasol ecoFT to develop, implement and operate a **fully integrated plant for ASTM compliant SAF production.**

SkyFuelH2 shall be the **blueprint** for a **scalable, cutting-edge, highest efficiency in class SAF production technology**, valorizing highly favorable access to Annex IX/A type feedstocks and RED II compliant baseload electricity.

Uniper's and Sasol's strategy is to continuously **improve and roll-out the SAF technology** to cover a significant share in the **dynamically evolving SAF market worldwide.**



Sollefteå,
Sweden

✓ Established
technologies

✓ Low GHG footprint

✓ Global scalability

✓ Feedstock availability

✓ RED2 compliance

✓ Resource efficient
process

Uniper at a glance

7,000 employees ensure security of supply in Europe

Active in more than **40** countries

163.98 billion euros in sales (2021)

1,187 billion euros Adj. EBIT (2021)

~ **22.5** GW generation capacity



Uniper and Sasol ecoFT jointly develop the project combining the experience of two industries


Uniper



Ideal position as project developer. Strong renewable power portfolio in Sweden. Experience in project execution of large asset projects. Global trading of energy commodities.

 Project development

 Power sourcing

 Biomass sourcing

 Site sourcing

Sasol ecoFT



Ideal complement. Deep technical knowledge of core components. Long experience of project execution in chemical industry.

 Project development

 FT equipment

 FT license/catalyst

 SAF product quality

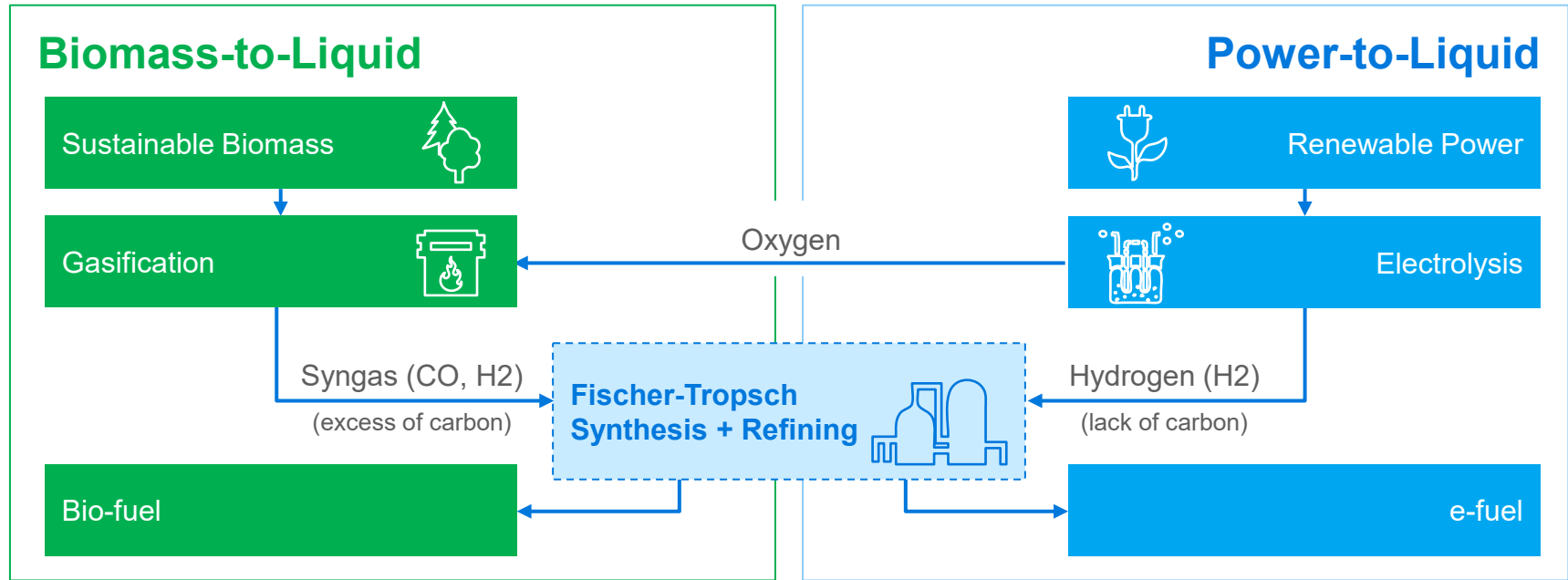
Sollefteå municipality



- Detailed development plan
- Local Businesses
- Infrastructure development
- Permitting support



Combining strengths from BtL (rich in carbon) and PtL (rich in hydrogen and oxygen) to ensure highest efficiency

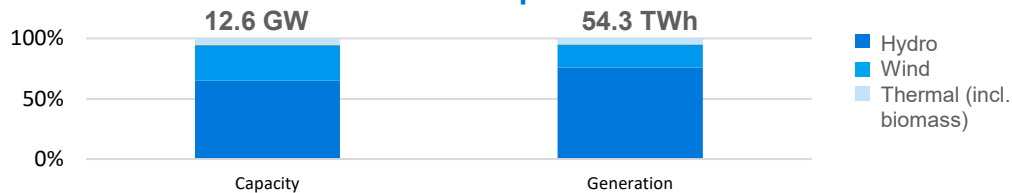


increased carbon yield by +90%

increased energy efficiency by +10%

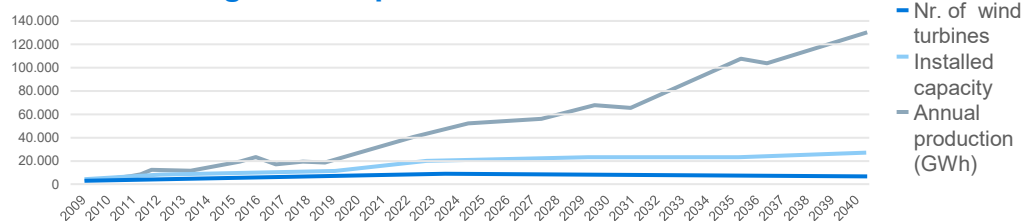
Securing renewable power: Northern Sweden is ideal for PBtL, combining hydro power and wind onshore

SE2 has an almost 100% renewable power mix¹



Although the grid mix in SE2 already fully complies with the provisions of RED II and the respective Delegated Acts with regards to RFNBO, **SkyFuelH2 commits to using electricity from additional renewable power resources, for example from additionally installed wind power generation capacities in SE2.**

Wind: Further growth expected till 2040²



While curtailment of wind power generation can occur, the **integration of existing flexible hydro power capacity enables addition of renewable wind power generation to a power zone having limited grid connector capacity to neighbouring zones.** The concept can be taken as a **blueprint for further renewable power installations and Power-to-X plants in the future.**

● Uniper hydro power assets

Uniper has a relevant portfolio of own assets and PPA.

The combination of assets enables a steady state operation at full capacity.

The power use chosen cannibalizes to a lesser extent other power applications, as it is trapped in Northern Sweden



SkyFuelH2 on YouTube



[SkyfuelH2 - Locally produced and sustainable aviation fuel](#)



Thank you!

Contact

Dr. Teodora Tinkova
SkyFuelH2 Project Director

E-Mail: teodora.tinkova@uniper.energy
Website: www.uniper.energy



Contact

Jordan Staiger
SkyFuelH2 Commercial Project Manager

E-Mail: jordan.staiger@uniper.energy
Website: www.uniper.energy

